

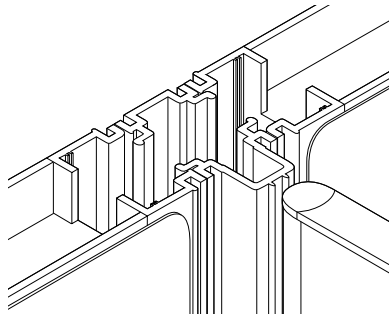
Diet - Boulevard Post Installation

Diet Boulevard Connecting Kit

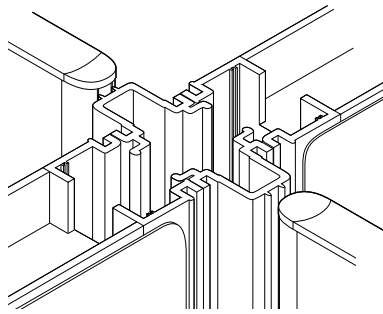
Diet - to - Boulevard connecting kit typically consists of two extruded aluminum profiles. Boulevard strips, screws to secure connecting extruded profile to Diet panel and a cap.

There are three basic configurations (please note the position and the use of 'Connector and Filler profiles):

"T" (even height)

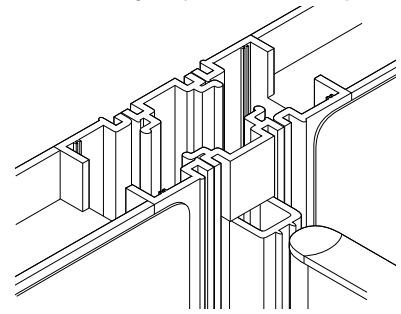


"X" (even height)



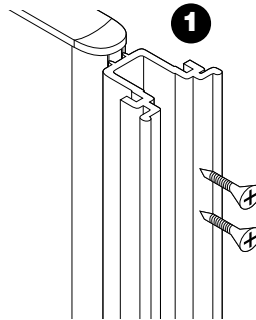
"T" (uneven height)

"X" uneven height requires one more filler profile

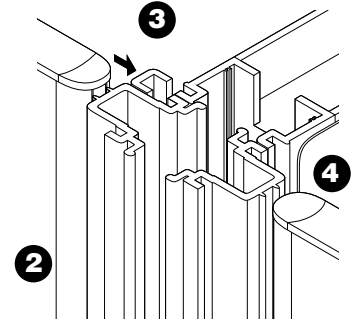


1 Begin the actual installation by securing Connector profile to Diet panel's vertical with supplied screws. Note the asymmetrical shape of connector extrusion and ensure that the larger side of the connector detail must be on the left side when facing panel's vertical extrusion or it would not engage with Boulevard panel interface.

2 Place Diet-Connector subassembly next to Boulevard panel. Ensure that bottom of the Diet-BLVD Connector rests on top of self leveling feature at the bottom of BLVD panels.



3 and 4 Install Boulevard capture strips.



5 Install the next Boulevard panel or Aluminum vertical end trim.

6 Finish by installing top cap (injection molded cap for Boulevard 1 and 2; aluminum cap for Boulevard System 3)

